



The swinging waist-high turnstile Electro Sweeper combines 3 important features:

- High safety;
- High traffic flow capacity - 30 pers./min.;
- Stylish modern appearance: glass blades and side panels produce the impression of transparency effect.

The turnstile is controlled in manual or automatic mode. In the first case blades are opened/closed according to command from wire remote control panel and in the second one - from access control system.

The swinging waist-high turnstile Electro Sweeper can operate in two modes: normally closed and normally open. Both access directions are free when the turnstile is de-energised.

The turnstile is suitable for the most sites, where access control and restriction is required due to functionality, ease of use and stylish appearance. The primary purpose of the Electro Sweeper turnstile is the arrangement of access in one or two directions.

The versatile Electro Sweeper turnstile is suitable for many different installations including reception areas in offices, banks, sports facilities, shops, or anywhere that has a need for access control at the point of egress

Controlled by

- Access control system
- Manual control

When power goes OFF both directions are free.

Electrical Specifications

- Voltage:
 - from the AC (100–240) V, 50/60 Hz
 - from a DC source 12 V
- Maximum power consumption:
155 W per pass;

Technical Specifications

 **30**
pers/min
CROSSING CAPACITY

 **0,8**
sec
OPENING/CLOSING

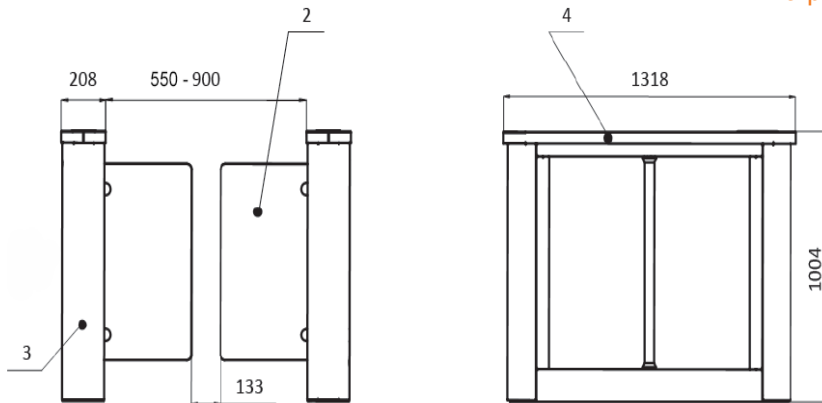
 **550-900**
mm
PASSAGE WIDTH

Width Single pass - 966 mm
 Two-pass - 1724 mm

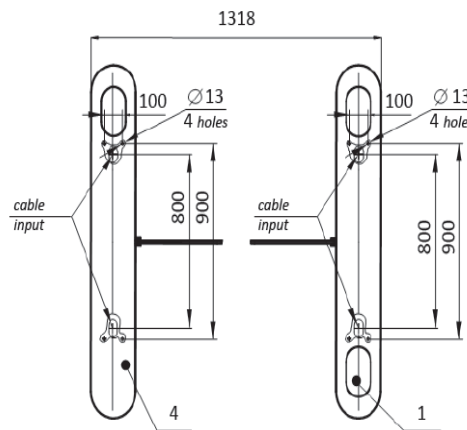
Length 1318 mm

Height 1004 mm

Weight (no more than) Single pass - 450 kg
 Two-pass - 700 kg



- 1/ Card Reader and LED Display
- 2/ Glass Leaf
- 3/ Turnstile Housing
- 4/ Cover



A version with a 550 mm passage width is also available

